

LIMITED WARRANTY

Be sure to fill out and mail
registration card immediately.

ARTOGRAPH spray systems are warranted to be free from defects in material and workmanship for ONE YEAR from the date of purchase by the consumer. Any part of the equipment found to be defective under normal installation and use during the warranty period will be repaired or replaced by ARTOGRAPH. The equipment should be returned, postage or freight prepaid, to ARTOGRAPH and must be accompanied by a proof of purchase. CONTACT OUR OFFICE, PRIOR TO RETURNING, FOR RETURN AUTHORIZATION.

THIS WARRANTY DOES NOT APPLY TO FILTER MEDIA.

Equipment repaired or replaced under warranty will be returned freight or postage prepaid. The warranty for repaired or replacement parts shall be for the duration of the original warranty. This warranty does not apply to equipment which has been subjected to abuse, accident, or alteration. The registration card must be filled out and returned within 10 days of purchase to place the warranty in effect.

THIS WARRANTY IS IN LIEU OF ALL OTHER WARRANTIES, EXPRESSED OR IMPLIED, AND THE WARRANTIES OF MERCHANTABILITY AND FITNESS FOR A PARTICULAR PURPOSE ARE HEREBY EXCLUDED BEYOND THE ONE-YEAR DURATION OF THIS WARRANTY. Some states do not allow limitations on how long an implied warranty lasts so the above limitation may not apply to you.

This warranty gives you specific legal rights, and you may also have other rights which vary from state to state.

Artograph, Inc.
Minneapolis, MN

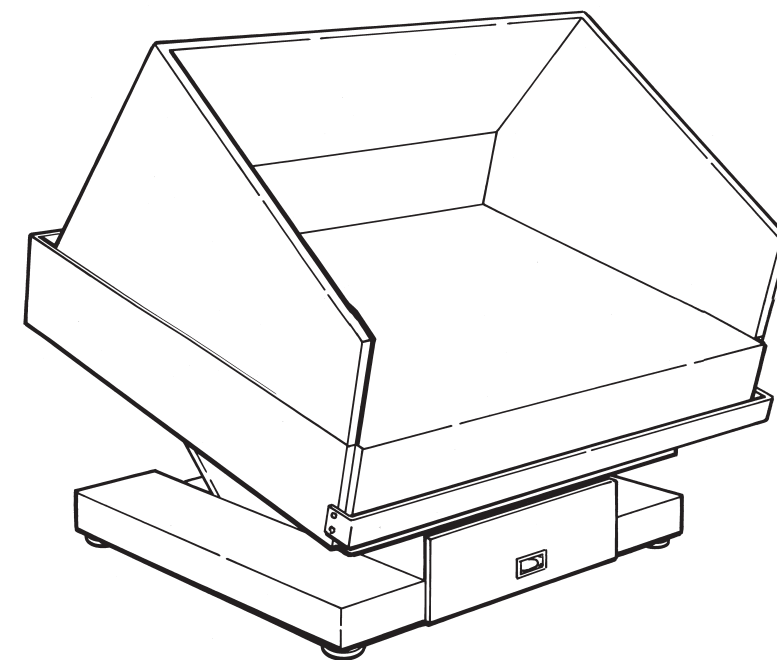
If you need more information or help,
Please contact your local dealer, or call
Artograph, Inc. in Minneapolis:
TEL: (888) 975-9555 (toll-free);
(763) 553-1112 (in Minnesota)
FAX: (763) 553-1262.

ARTOGRAPH®

2838 Vicksburg Lane North
Plymouth, MN 55447

OWNERS' MANUAL

Model 2025 SPRAY SYSTEM



ARTOGRAPH®

2838 Vicksburg Lane North, Plymouth, MN 55447
(763) 553-1112

IMPORTANT SAFEGUARDS

When using this spray system, always follow basic safety precautions, including the following:

1. Read and understand all instructions before operating.
2. Do not operate this equipment with a damaged cord, or if it has been dropped or otherwise damaged, until it has been examined by a qualified electrician.
3. If an extension cord is necessary, be sure it has a suitable current rating. Be careful to arrange the cord so that it will not be tripped over or pulled.
4. Always unplug from the electrical outlet when not in use. Disconnect by grasping and pulling the plug from the outlet; never yank the cord to disconnect the plug.
5. To avoid electrical shock hazard, do not disassemble. Take the unit to a qualified electrician. Incorrect reassembly can cause an electrical shock hazard.
6. Use only in an area with adequate ventilation. Refer to the Safety Data Sheets for the material being sprayed.
7. Do not operate unit near sparks, heat, or open flame.
8. Do not use in an explosive environment.
9. Follow all precautions and warnings printed on the spray material's label.

SAVE THESE INSTRUCTIONS

NOTICE: The use of an ARTOGRAPH SPRAY SYSTEM does not guarantee an environment 100% free of health risks from spray materials. Always refer to the aerosol/paint manufacturer's caution label or the Material Safety Data sheet for correct usage of spray materials.

THANK YOU

... on purchasing your ARTOGRAPH SPRAY SYSTEM. It was designed to insure a healthier and cleaner working environment for heavy spraying, by using a four-filter system to effectively collect most overspray and local airborne contaminants and odors.

The upper prefilter removes a high percentage of sprayed particles; a sec-

ond filter effectively aids in particle removal; the third filter is impregnated with activated carbon to trap odors and additional particles; and the bottom element contains high-density activated charcoal for maximum filtration. Please read the information and instructions on the following pages. They will help you obtain maximum productivity from this Spray System.

SET-UP

1. Unpack the unit, and set it on a sturdy surface in a well-ventilated area.
2. Remove the roll of prefilter material from its packing, and thread it through the unit as shown in Fig. 1.

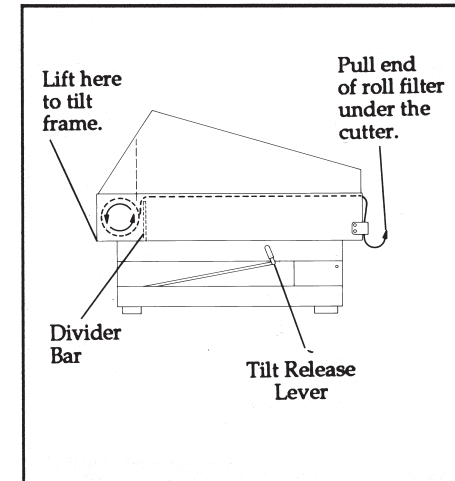


Fig. 1

3. Unfold the spray hood as shown in Fig. 2, and insert the two tabs into the slots.
4. Set the hood on top of the unit as in Fig. 1, with the back flap of the hood behind the divider bar and prefilter sheet.

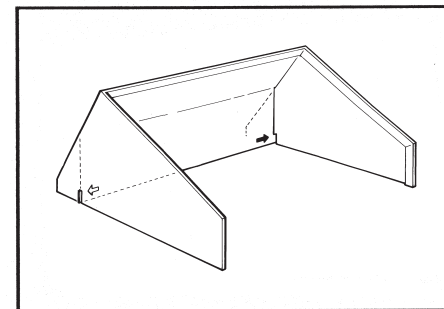


Fig. 2

OPERATION

Set the power switch at the low-speed position (I) for light spraying, at high speed (II) for heavy spraying or maximum filtering efficiency.

Always place the article to be sprayed in the center of the booth.

For three-dimensional items, cut a piece of cardboard slightly larger than the item being sprayed, place the card-

board in the center of the booth, and set the item on the cardboard. **Never** place items larger than 15 x 20" in the booth.

After each use, leave the unit on at the low speed (I) for 5 - 10 minutes. This will continue to filter the air in the room, removing airborne contaminants.

Pull up the filters at the sides so the hood will drop down onto the foam seal, then tuck the filters back down. Be sure you can still advance the prefilter freely.

5. Tilt the unit as desired, by lifting the rear of the filter frame until the support bracket falls into the appropriate notch. To lower the unit, lift the rear of the frame slightly and pull the tilt release levers toward the front. Always support the frame when adjusting the tilt: **do not** allow it to drop of its own accord.
6. Plug the power cord into a 115V 60 Hz outlet.
7. Turn on the power switch. Your Spray System is now ready for use.

ROUTINE MAINTENANCE

FILTERS (see illustration below)

Advance the prefilter (the thin upper filter sheet) when it becomes clogged with spray particles so that it no longer filters effectively. Pull down the used filter material, then pull it up and toward the side against the cutter to tear off the used portion.

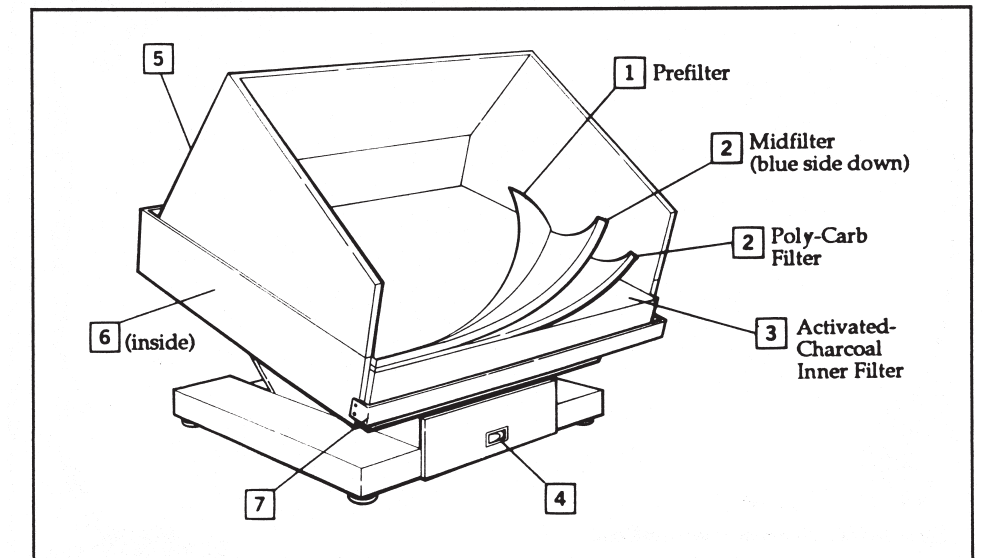
Typically, the midfilter and poly-carb filter should be replaced four times a year. However, with heavy usage or

especially-contaminating overspray you may have to replace them more often.

Replace the high-density activated-charcoal inner filter once or twice a year, depending on usage.

SPRAY HOOD

The spray hood is easy and inexpensive to replace if it becomes contaminated or damaged.



REPLACEMENT PARTS

1	225-326	Prefilter, continuous-filament polyester (50-yard roll)
2	225-327	Filter Pak (4 mid-filters & 4 poly-carb filters)
3	225-328	Filter, inner, high-density activated charcoal element
4	145-259	Switch, power
5	200-575	Hood, spray
6	145-525	Fan
7	151-365	Knife, serrated